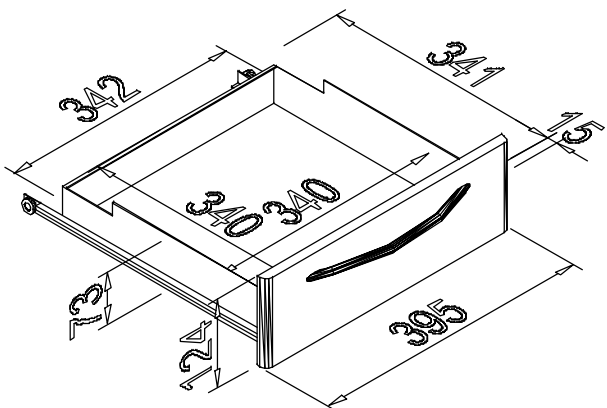
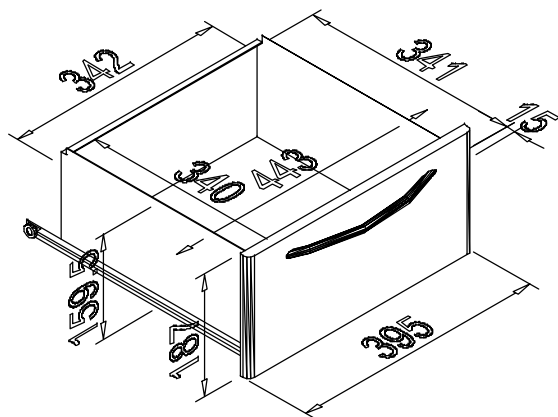


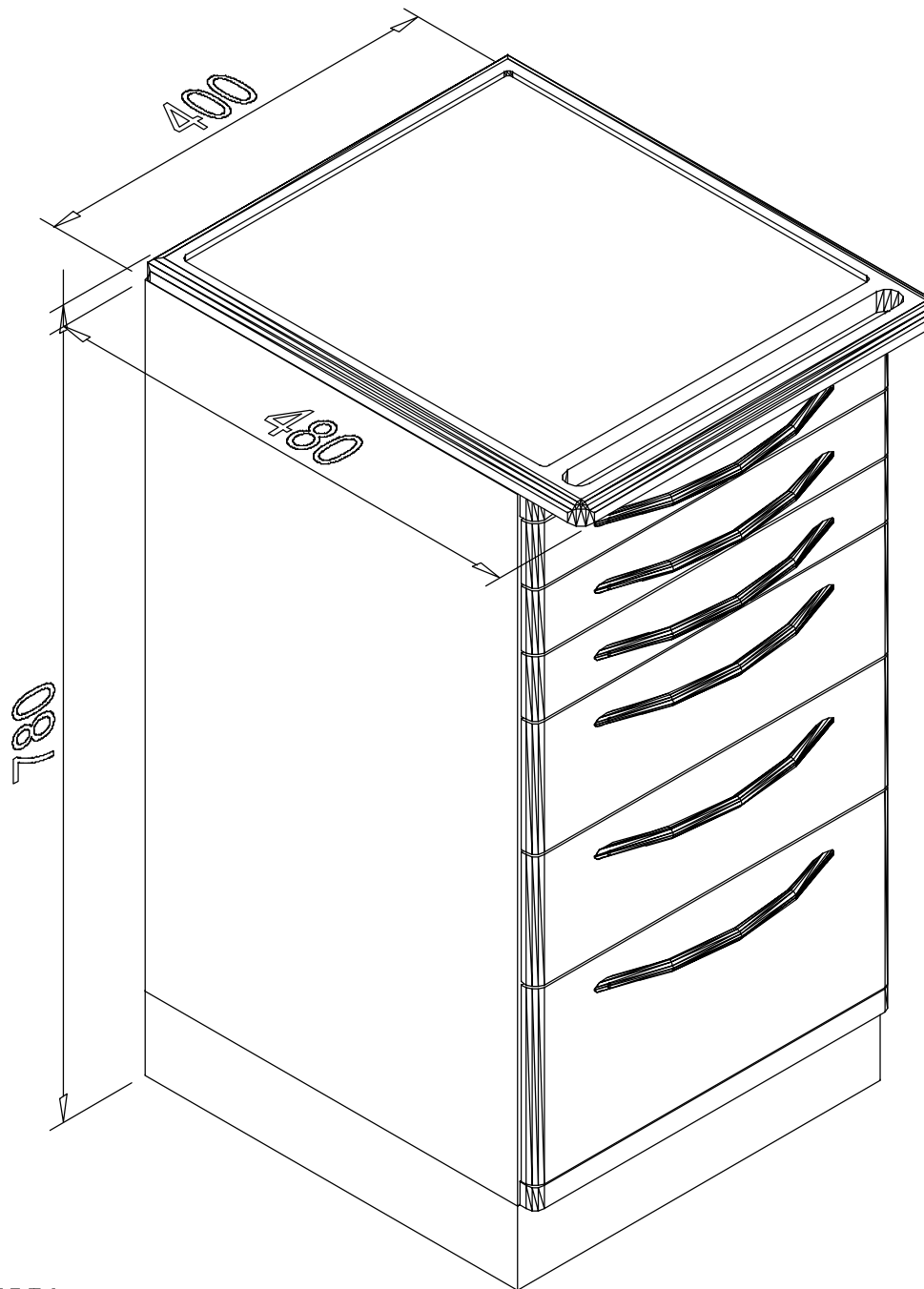
N. 3 DRAWERS "A"



N. 2 DRAWERS "B"



N. 1 DRAWER "C"



SRT6



Via Fossa 37
31051 Follina TV - Italy
Tel. +39 0438.970308 r.a. Fax + 39 0438.971853
Site internet: www.zilfor.com E-mail: info@zilfor.com

Revision n°	Date
-	-

Drawing title
-

Drawing number
-

Project Name and Address
Zanchetta Francesco

Material
-

Project	Date
ZILFOR S.r.l.	12-07-16

File	Scale
-	-

Approved Zilli Tiziano